



# Rotary Actuator

Model ACT004

Version 1.2

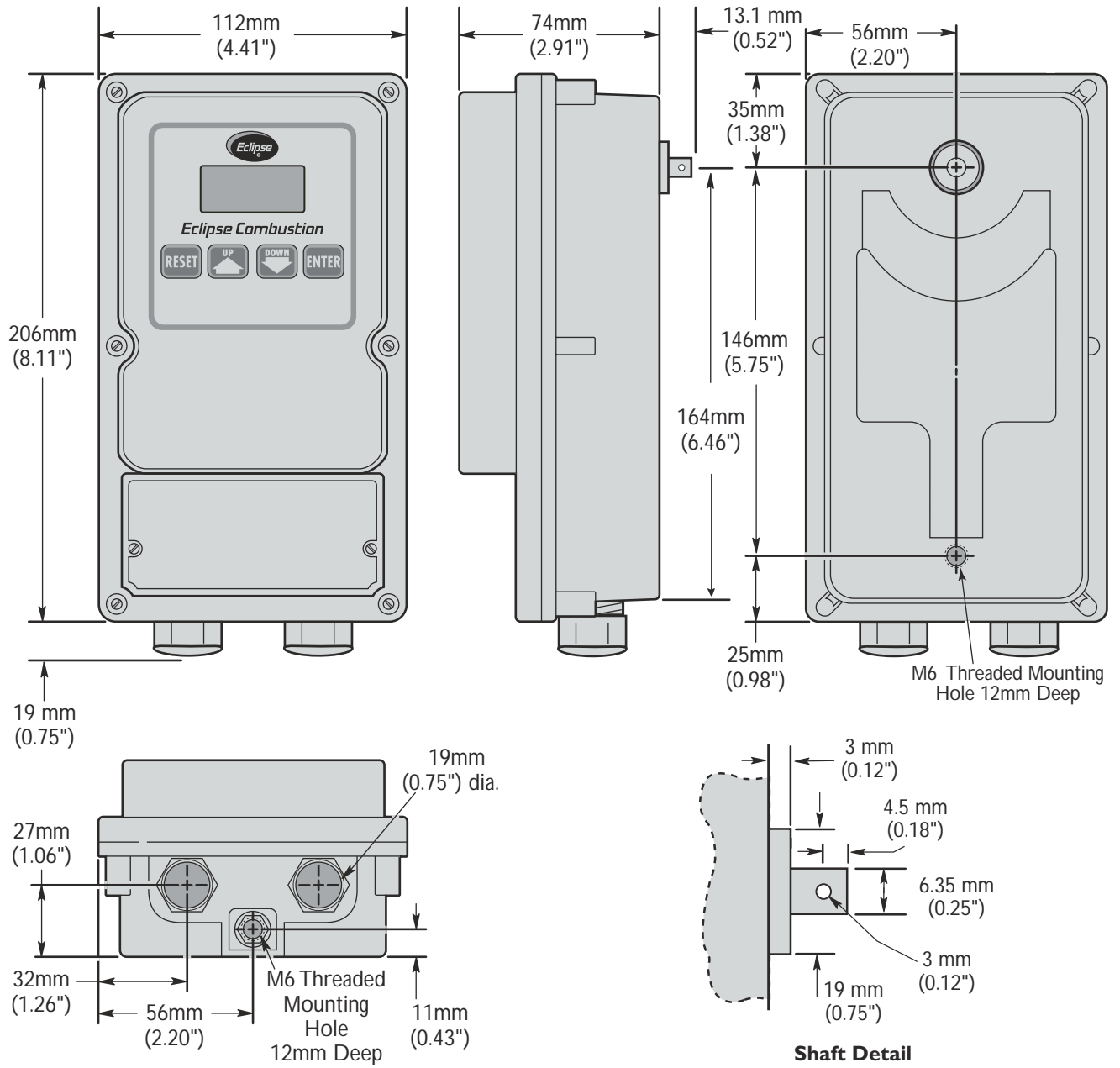
PARAMETER	DESCRIPTION
Power Supply	120VAC (+10%, -15%), 50/60 Hz or 240VAC (+10%, -15%), 50/60 Hz Internal power consumption: 5VA
Operating Temperature	-20 to +60 °C (0 to 140 °F)
Storage Temperature	-25 to +65 °C (-10 to 150 °F)
Humidity	5-95% RH noncondensing
Environment	Protected against dust and dripping or splashing of liquids.
Inputs, Analog	4-20mA @ 250Ω impedance; 0-10Vdc @ 200KΩ impedance
Inputs, Digital (Isolated contacts)	Force to high position; force to low position; disable setting codes
Shaft Rotation	Adjustable, 0 to 90° maximum.
Minimum Step	1°
Shaft Rotation Direction	Selectable: clockwise or counterclockwise
Keypad Orientation	Four positions
Display Accuracy	± 1.5°
Position Indicator	9/16" high LED, 0 to 90°
Speed	15 seconds nominal for 90° @ 60Hz
Torque (Stall Protected)	3.4 N-m (30 lb-in) 3.9 N-m (35 lb-in) @ stall
Auxiliary Contact Ratings	
Resistive Load:	8A
Inductive Load:	2A
Wiring Connectors	Flexible cord connector: 5.8 to 10 mm (0.231 to 0.394 in.) OD cable 3/8 in. liquid tight conduit 1/2 in. Female NPT adapter
Terminal Connections	0.14 - 1.5mm <sup>2</sup> (28 - 14 AWG)
Shipping Weight	1.1 kg (2.5 lb.)

- Eclipse reserves the right to change the construction and/or configurations of our products at any time without being obliged to adjust earlier supplies accordingly.

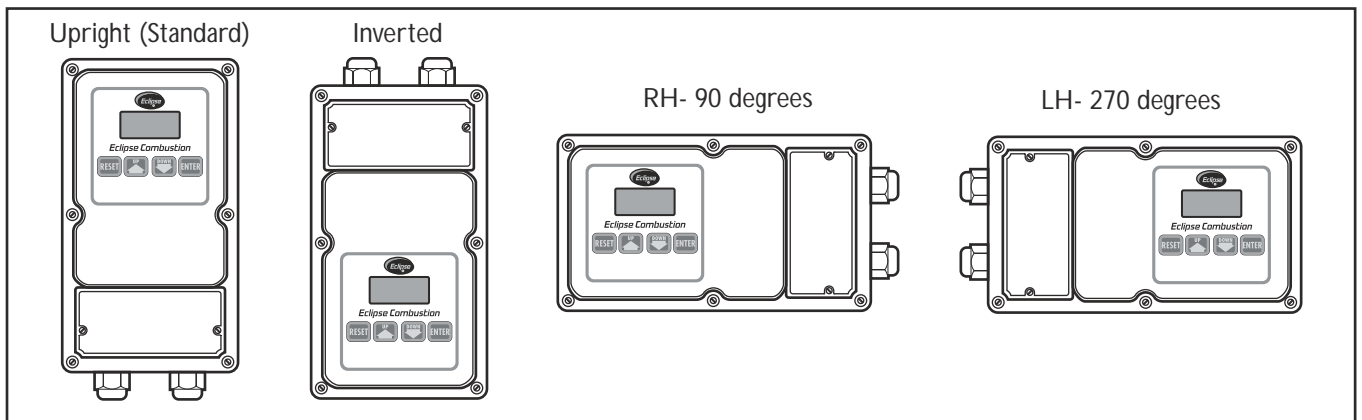
## Mounting Kits and Hardware for the Rotary Actuator

P/N	DESCRIPTION	QUANTITY					
100127	KIT,RH-MOUNTING, Ver.2 BV w/ 10mm shaft, 1/2" - 4"						
100128	KIT,LH-MOUNTING, Ver.2 BV w/ 10mm shaft, 1/2" - 4"						
100124	KIT,RH-MOUNTING, Ver.1 BV w/ 3/8" shaft, 1/2" - 4"						
100125	KIT,LH-MOUNTING, Ver.1 BV w/ 3/8" shaft, 1/2" - 4"						
100344	KIT,MOUNTING, 6" & 8" BV						
101150	KIT,COUPLING,10mm (no bracket)						
100240	KIT,MOUNTING,RMv1	▼	▼	▼	▼	▼	▼
21696	BRACKET, BV,1/2" to 4",LH				1		1
21695	BRACKET, BV,1/2" to 4",RH					1	1
21934	BRACKET,BV,1/2" to 1-1/2",PERPENDICULAR						
21935	BRACKET,BV,2" to 2-1/2",PERPENDICULAR						
21936	BRACKET,BV,3" to 4",PERPENDICULAR						
23013	BRACKET, BV,6"- 8",PERPENDICULAR			1			
21024	BRACKET,PKG BURNERS,SIZE 2						
21025	BRACKET,PKG BURNERS,SIZE 3						
21026	BRACKET,PKG BURNERS,SIZE 4						
21027	BRACKET,PKG BURNERS,SIZE 5						
21028	BRACKET,PKG BURNERS,SIZE 6						
21029	BRACKET,PKG BURNERS,SIZE 7						
21073	BRACKET,PKG BURNERS,LH BLOWER,SIZE 2-5						
21072	BRACKET,PKG BURNERS,RH BLOWER,SIZE 2-5						
21496	BRACKET,RMv1,MODEL 50-600	1					
21048	COUPLING,0.25"x10mm		1				1 1
20697	COUPLING,0.25"x0.375"	1			1	1	
23014	COUPLING,0.25"x0.625"			1			
19473	PIN,SLOTTED SPRING,0.125" x 1",SS			1			
21068	PIN,SLOTTED SPRING,3mm x 20mm,SS	1	1		1	1	1 1
21050	SCREW,CAP,SOCKET,M4-0.7 x 20mm		1				1 1
016157	SCREW,HEX,1/2-13 x 3/4"			2			
19393	SCREW,HEX-CAP,5/16-18 x 5/8				2	2	
15881	SCREW,M6-1.0 x 12mm [bracket to actuator mounting]		1	1	1	1	1 1
20411	SCREW,M8x14						2 2
19969	SCREW,SET,M4x6	2			2	2	
19028	SCREW,SET,1/4"-20 x 3/8"			2			
19272	WASHER,FLAT,1/2"			2			
19262	WASHER,FLAT,1/4"				2	2	
20240	WASHER,FLAT,M6			1	1	1	1 1
90805	WASHER,FLAT,M8						2 2
19255	WASHER,LOCK,5/16"				2	2	
20244	WASHER,LOCK,M4		1				1 1
15625	WASHER,LOCK,M6		1	1	1	1	
15222	WASHER,LOCK,M8						2 2

## Dimensions

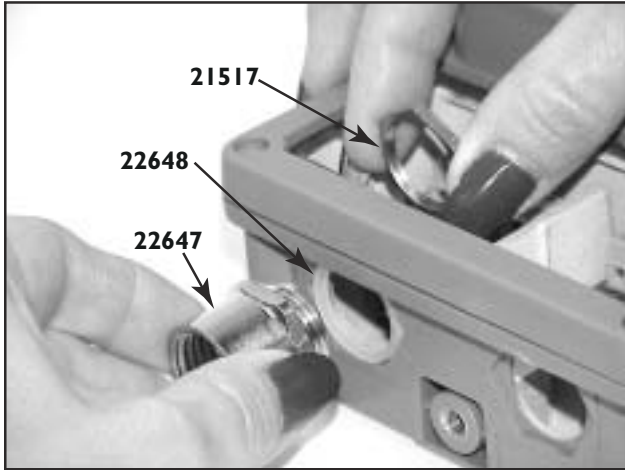


## Keypad Orientation

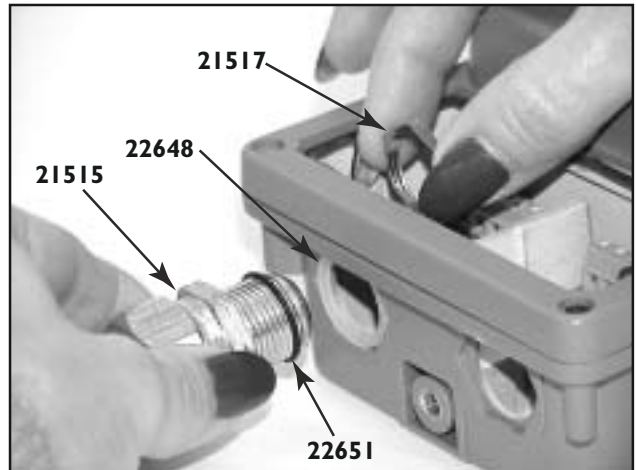


## Electrical Connectors for the Rotary Actuator

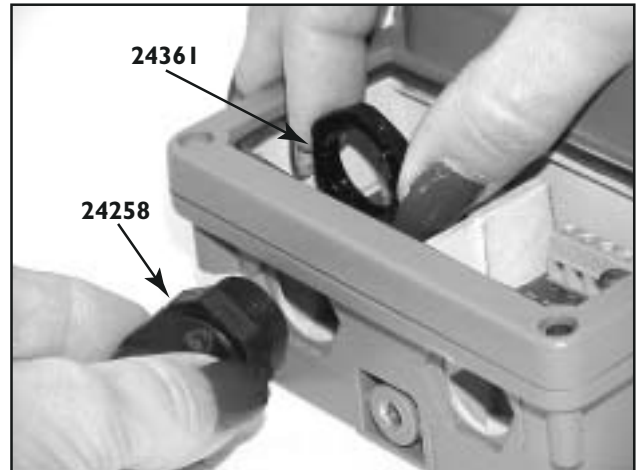
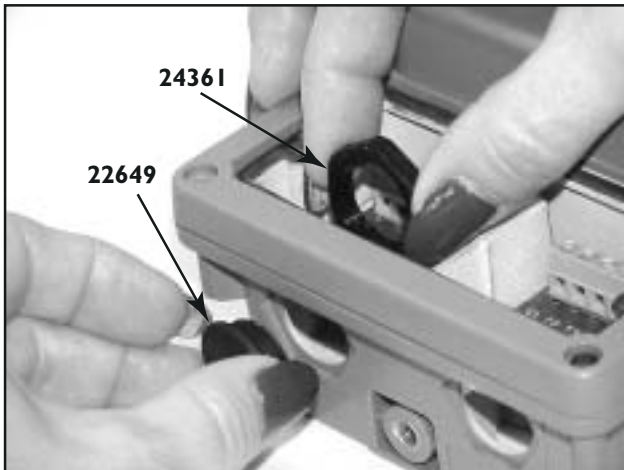
P/N	Description
24258	Connector for Cord & Cable, Liquidtight, PG11 Male Thread, Nylon
21515	Connector for 3/8" Liquidtight Flexible Conduit, PG11 Male Thread, Metal
22647	Adapter with o-ring, Male PG11 to Female 1/2"NPT, Metal
22649	Plug, PG11 Male Thread, Nylon, for sealing unused conduit hole.
24361	Locknut, PG11 Thread, Nylon
21517	Locknut, PG11 Thread, Metal
22651	O-ring, Seal for PG11 Thread
22648	Sealing Ring, Flat Washer, for PG11 Thread, Plastic



Insert 22648 in location as shown and then assemble 22647 with 21517



Insert 22648 in location as shown and then assemble 21515 with 21517. Roll 22651 back against hex nut before assembly.



**ECLIPSE™**  
Innovative Thermal Solutions

**Eclipse Combustion**



**Offered By:**

Power Equipment Company  
2011 Williamsburg Road  
Richmond, Virginia 23231  
Phone (804) 236-3800  
Fax (804) 236-3882

---

[www.peconet.com](http://www.peconet.com)